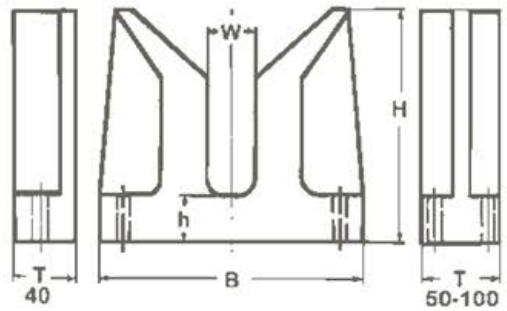


## Plastic Bearing block

Table of Dimensions *in mm*

Type	B	H	T	h	W*
250 A	125	115	40	36	10
500 A	135	135	40	37	10
1000 A	150	155	50	39	20
2000 A	200	190	50	44	20
3000 A	245	230	80	45	30
4000 A	245	230	80	50	30
6000 A	290	290	100	55	30
8000 A	290	290	100	65	30
10000 A	350	345	100	75	30
12000 A	350	345	100	75	30



Special sizes available on demand. Can be delivered with mounting boreholes on request.

\*Additional charges for larger widths. Please refer to pricelist.

Material PE=Polyäthylen